

What's NEW

@  **OMEGA**

GREEN *line*  TM

LED Flood Light 100W & 150W

Ideal for:
**Commercial, Industrial
Warehouses & Signage Usage**



- Low Operating Costs,
- High Energy Efficiency, &
- Easy Installation and Adjustment

A versatile and handy product for exteriors of buildings, factories and warehouses.

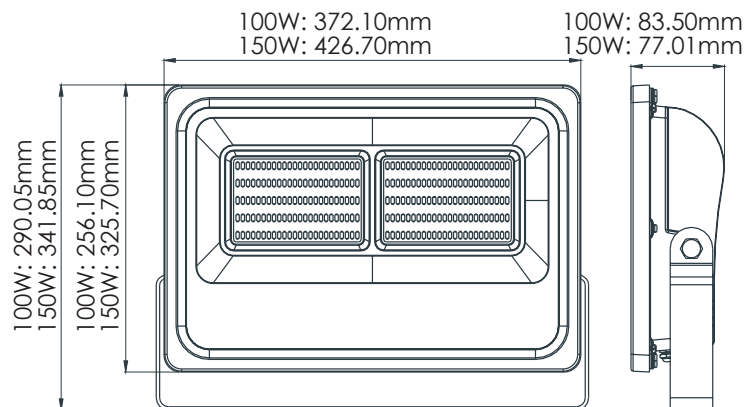
SPECIFICATIONS

- Voltage Range: 220~250 VAC
- Beam Angle: 120°
- Protection Rating: IP65
- Mounting Options: Wall or Ground
- Temperature Range: -20°C ~ +55°C
- Meanwell Driver
- 50,000 Hours Lifespan
- Cool White 6500K Colour Temperature
- Lumen Output: 100W – 11,000 lm
150W – 16,500 lm
- Black Trim Colour



Cat No:
FL100W-B
Power: 100W

Cat No:
FL150W-B
Power: 150W



Date Released: February 2017

 **OMEGA**
The Power To Perform

www.omegapower.com.au sales@omegapower.com.au
VIC (03) 8793 9700 NSW (02) 9734 9944 QLD (07) 3283 1199
SA (08) 8345 0017 WA (08) 9271 9787

